
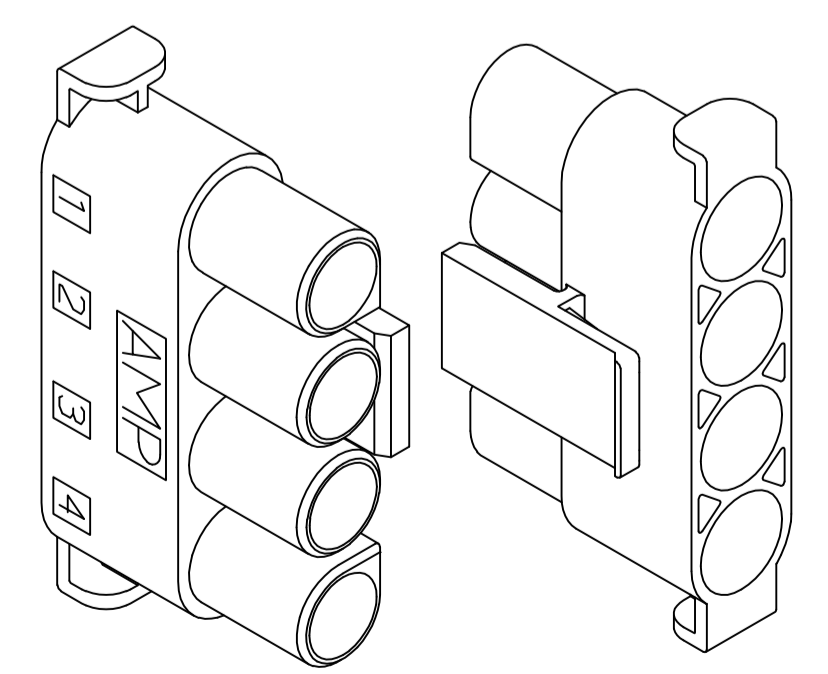
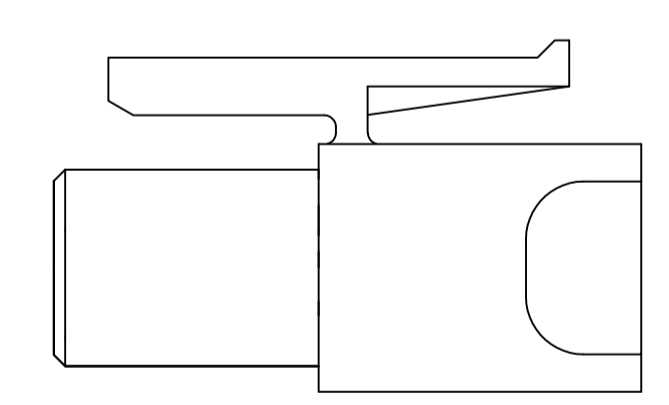
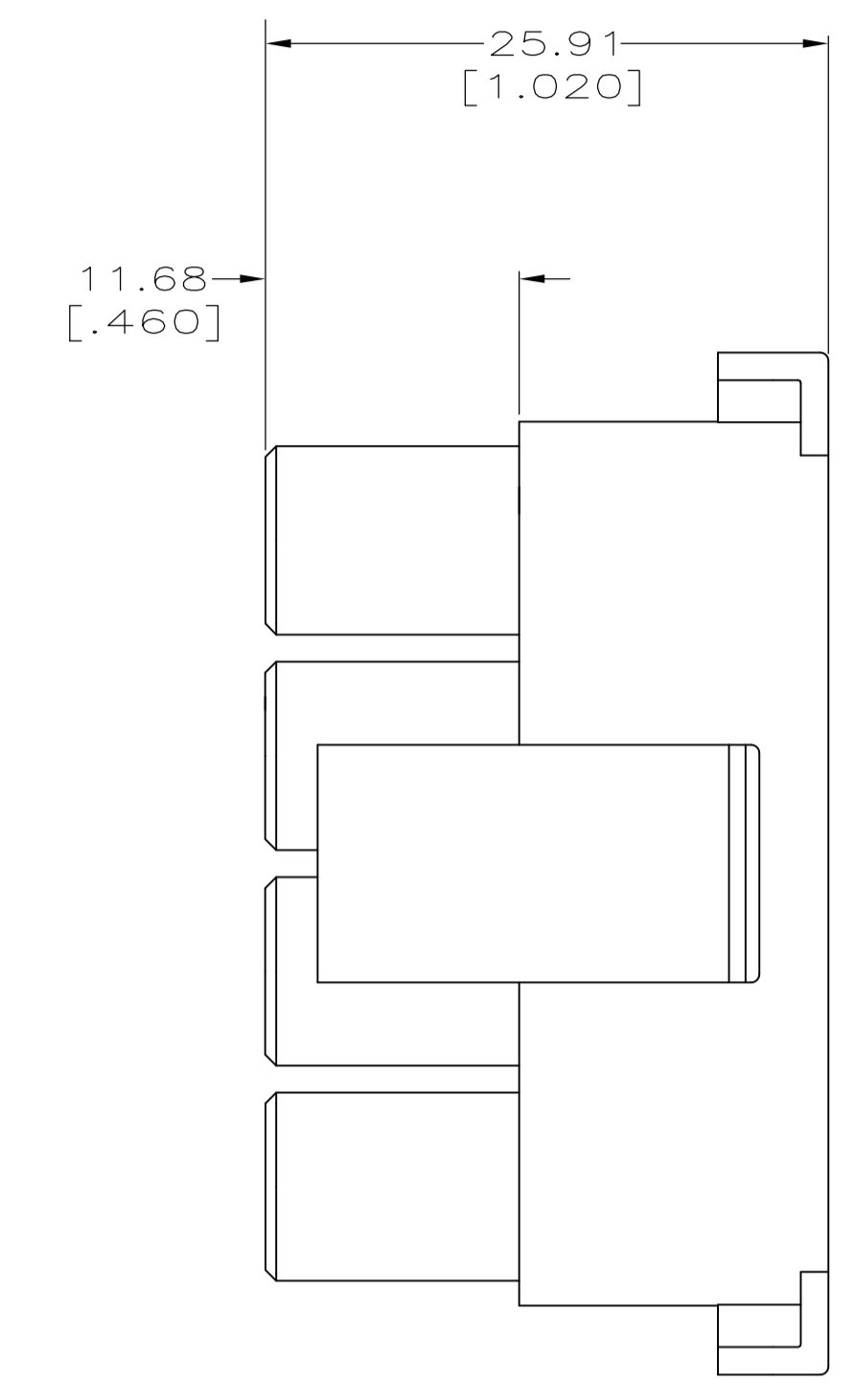
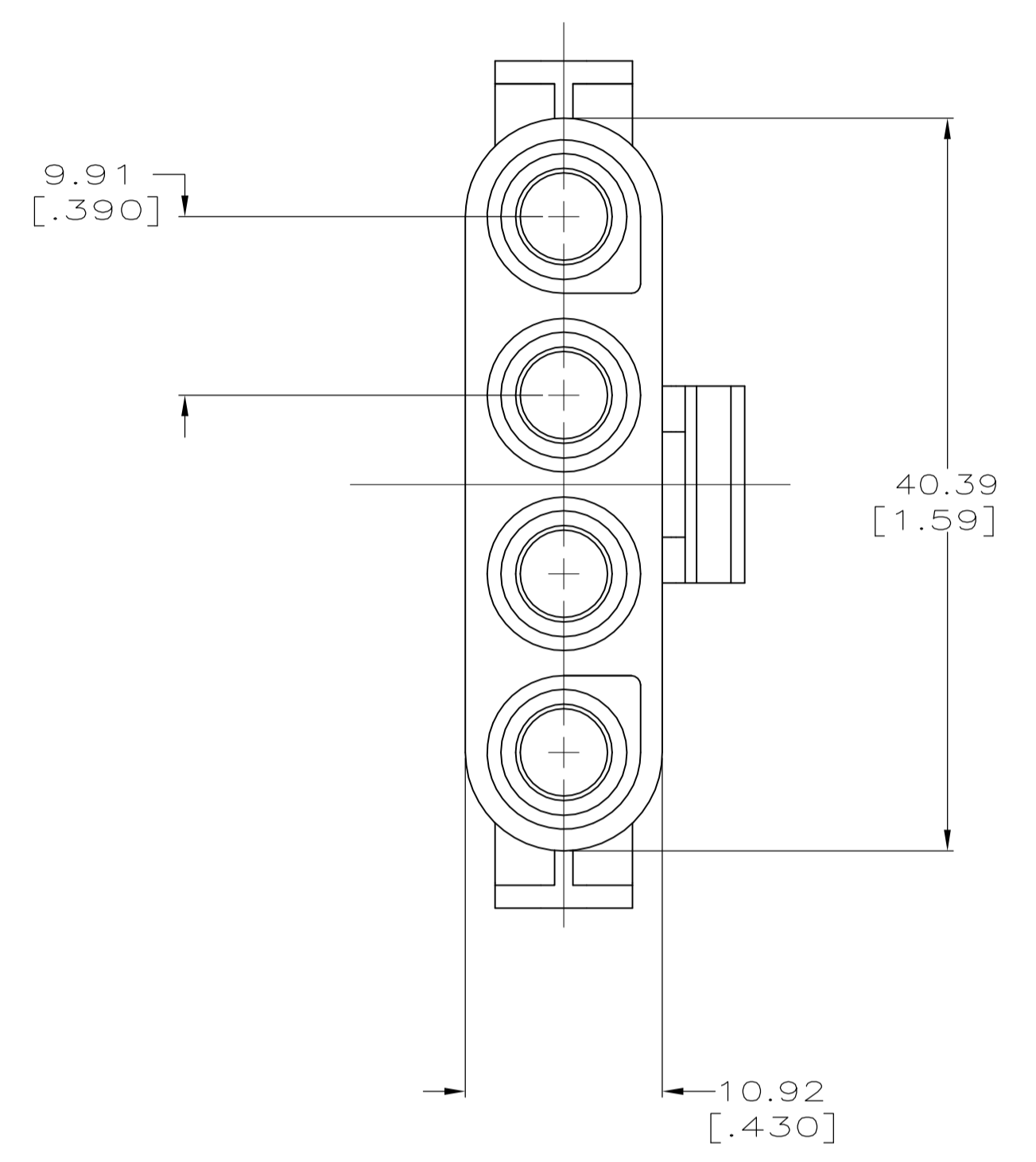
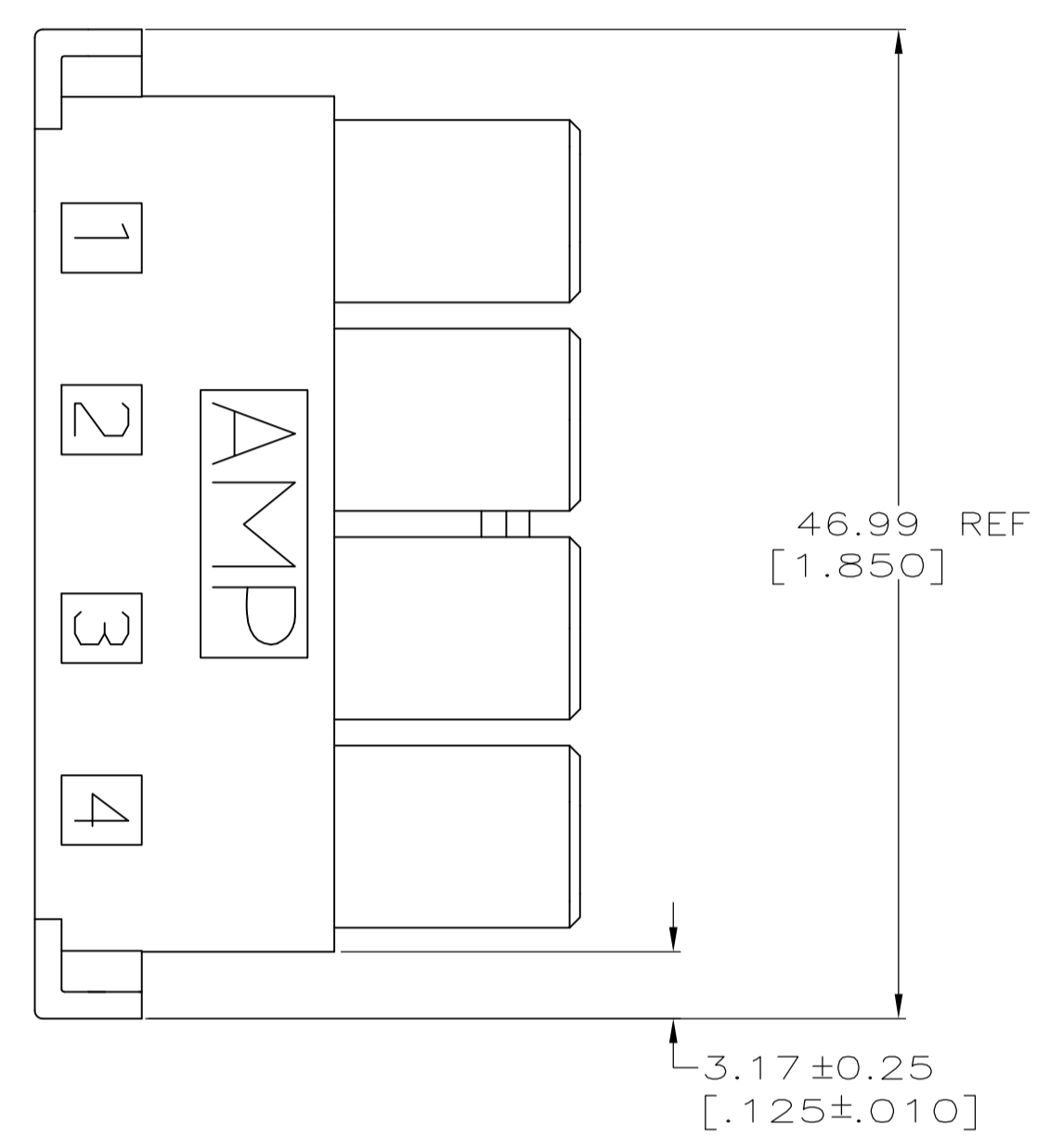



LOC		DIST		REVISIONS			
P	LTR	DESCRIPTION	DATE	DWN	APVD		
C1		ECR-14-014875	10DEC2015	SC	DZ		

1. TO BE USED WITH APPROPRIATE .156 MATE-N-LOK SOCKETS.
 2. DIMENSIONS IN BRACKETS ARE IN INCHES.
-  PRELIMINARY PART NOT RELEASED FOR PRODUCTION.



3-DIMENSIONAL MODEL NTS

	794116-2
	794116-1
	PART NUMBER

THIS DRAWING IS A CONTROLLED DOCUMENT.		DIN E. LEWIS 4-19-96	Tyco Electronics Corporation Harrisburg, PA 17105-3608	
DIMENSIONS: mm [INCHES]		CHK R. SWING 4-19-96	Tyco Electronics Corporation	
TOLERANCES UNLESS OTHERWISE SPECIFIED:		APVD C. MARTIN 4-30-96	NAME PLUG, 4 CIRCUIT, .156 MATE-N-LOK(TM)	
0. PLC ± -	1. PLC ± -	PRODUCT SPEC		
2. PLC ± -	3. PLC ± 0.13 (.005)	APPLICATION SPEC		
4. PLC ± -	ANGLES ± -	SIZE A1 00779 C=794116		
MATERIAL NYLON	FINISH -	WEIGHT -		RESTRICTED TO -
CUSTOMER DRAWING		SCALE 3:1		SHEET 1 OF 1
				REV C1

